

Model No.: **6PLBRXL ZZZ (S)**
 Description: **Ø16mm Plastic series LED Pilot Light**



6PLBRXL ZZZ (S)



**6PLBRXLQ ZZZ (S)
without marking**

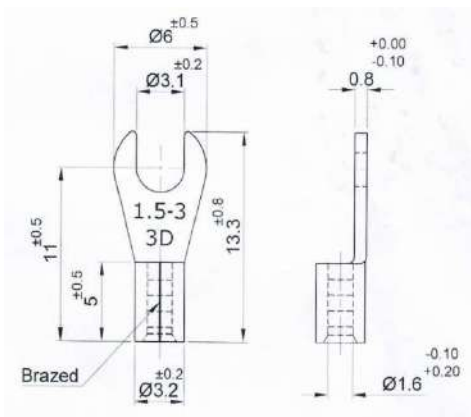
Salient Features


- Miniature in size, suitable for small control panel
- Number of signaling units can be installed as compared to Ø22.5 or Ø30.5 series
- Quick installation
- Safe operation
- Robust design
- Aesthetically elegant
- Monoblock unit

General Characteristics:

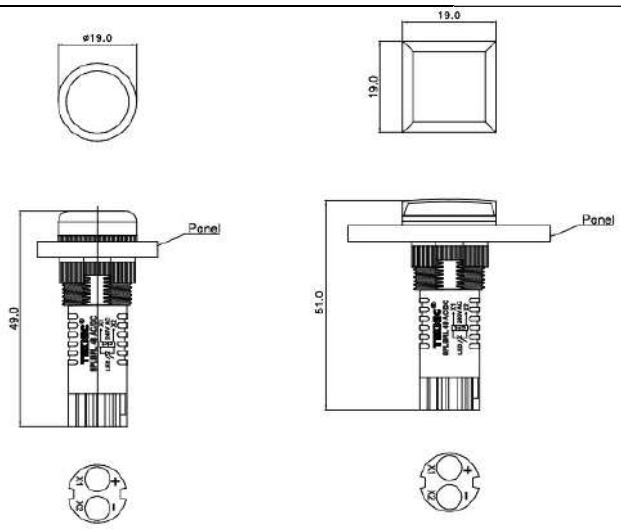
It is a panel mounting LED monoblock circular pilot light available in round & square head & is available in a variety of colors. It is simple to fit in a round cutout of $\text{Ø}16.2^{+0.2}$ panel of thickness 1mm to 6mm. Its small size makes it suitable to be mounted on small machines & control panels. Fixing distance is 18mm X 18mm for round head & 24mm X 18mm for unmarked square models. However for marked square models it is 33mm X 33mm.

The pilot light can be fastened to the panel with the lock ring provided. To release the pilot light just unscrew the lock ring. The below lug is recommended for our pilot light.



Available types	6PLBRXL ZZZ (S) round & 6PLBRXLQ ZZZ (S) square heads where color X can be 1 for White, 3 for Green, 4 for Red, 5 for Amber, 6 for Blue, 7 for Clear, 8 for Yellow & S for Special White & ZZZ indicates rated Voltage Rated 24AC/DC, 110AC & 240AC
Degree of protection	: IP65 as per IEC 60529 pending
Degree of Pollution	: 3
Applicable standards	UL508 IEC 60947-5-1 CSA 22.2
Product Certification	

Mechanical Characteristics:

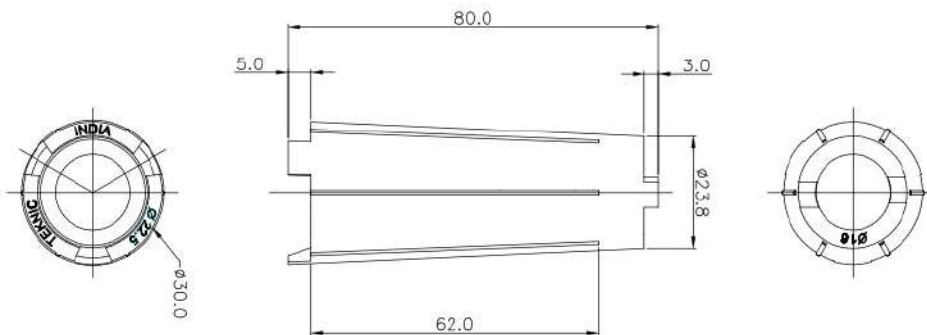
Function indicator	Available on request on Square models	
Terminal Capacity	Rigid	Flexible
	2 X 0.75mm ² (max)	1 X 0.75mm ² (max)
	1 X 0.5mm ² (min)	1 X 0.5mm ² (min)
	1 X 1.5mm ² (min)	2 X 0.5mm ² (max)
Terminal marking	: X1 X2	
Terminal Torque	Nm	: 0.5
Contact material	: Brass, Tin plated	
Operation	: NA	
Operating torque	Nm	: NA
Operating force	N	: NA
Positive operation	: NA	
Conforming to IEC/EN 60947-5-1 Appendix K		
Operating travel	Mm	: NA
Mechanical life	: NA	
Ambient	°C	: -25 to +70
Storage	°C	: -25 to +40
Overall Dimensions with sketch (LXBXH)	Mm	
		6PLBRXL ZZZ (S) 6PLBRXLQ ZZZ (S)
Vibration resistance	Hz	: Pending
Conforming to IEC 60068-2-6		
Shock resistance	: Pending	
Conforming to IEC 60068-2-27		
Viewing Angle	°	More than 100°
Optical Axial intensity	mcd	More than 100mcd for all colors
Weight	gms	:6PLBRXL ZZZ (S): 9 :6PLBRXLQ ZZZ (S):12

Electrical Characteristics of contacts:

Make & Break Capacity		: Rated 24AC/DC, 110AC & 240AC
Rated insulation voltage	V	: 500
Rated thermal current	A	: NA
Low power application		: 20% of Rated Voltage
Short circuit protection		: NA
Dielectric Test	KV	: 2.5
Approvals regarding the part:		: CE
Approvals regarding the material		
Polymeric parts		: UL-Recognized material
Rated Impulse Withstand		: NA
Polarity protection		: Polarity protection is only in case of DC supply lamps
Current Consumption	mA	: less than 20mA
Electrical Endurance		: 1,00,000 hours

Accessories & codes:

Spanner P2/P6SPNR



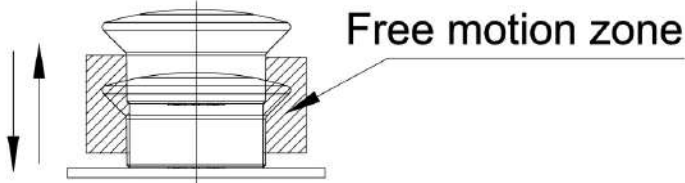
Ordering codes

The ordering code for each product is mentioned in the Catalogue/Data Sheet and not indicated on each product because of the various combinations possible it becomes practically impossible to do so, more over the actuators, lamp unit and contact element, which together make a push button, are sold separately to OEM's as well as dealers. However the primary packing box always mentions the ordering code of the material it holds.

6PLBR	X	L	Q	ZZZ	(S)
↓	↓	↓	↓	↓	↓
Ø16 series Economy Pilot light with resistor	color code =	LED type	Square head; Round, if blank	Rated voltage	Special White
	1-White 3-Green 4-Red 5-Amber 6-Blue 7-Clear 8-Yellow				

Mounting Instructions:

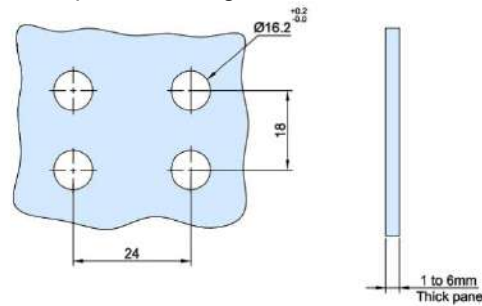
Safety regulations: This unit may be installed & commissioned by personnel who are familiar with current regulation for health & safety at work & accident prevention. Ensure local regulations are met especially those relating to safety. This is for use on flat surface of type 4X, 12 enclosure.



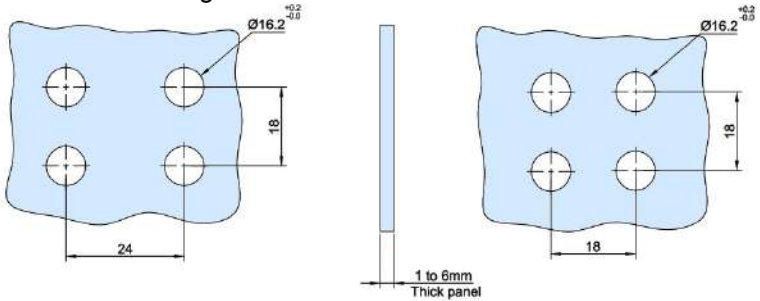
Ensure that this actuator will operate fully after installation. Failure to follow these will result in death or serious injury.

Mounting

: Fixing Centers:
 Mounting Panel thickness: 1mm to 6mm
 For Square Pilot Light Unmarked



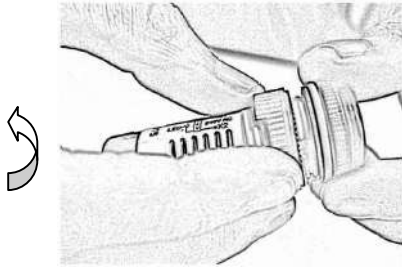
For Square Pilot Lights marked it is 33
 For Round Pilot Light



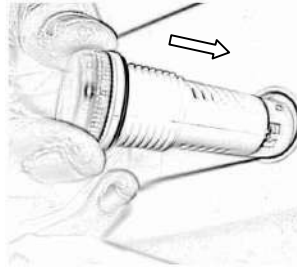
No of elements possible

NA

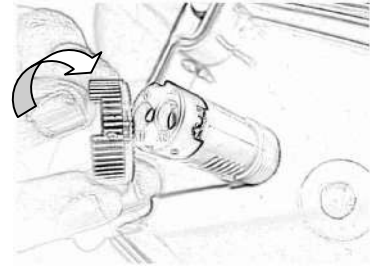
To install:



Remove the Lock Ring by turning anticlockwise.



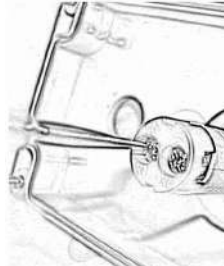
Insert the assembly in Ø16.2 hole. Ensure belt ring is there as it provides IP65 protection to the assembly.



Assemble the Lock Ring by turning it clockwise

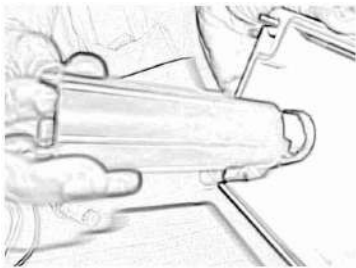


Use Teknic spanner P2/P6SPNR for tightening the Lock Ring.

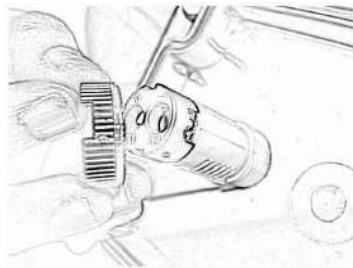


Connect wires in terminals X1 & X2.

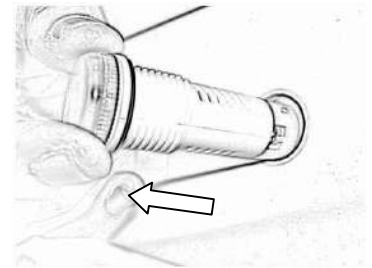
To uninstall:



Remove the wires from the unit by unscrewing the terminals X1 & X2. Turn the Lock Ring in anticlockwise direction using Teknic Spanner.



Remove the Lock Ring.



Remove the body from the round cutout.