

IEC to DOMESTIC SOCKET ADAPTOR

MODEL NO : ADAPTOR/IEC-DOM 16A



- A versatile electric adaptor inlet for commercial & domestic usage.
- Can charge using standard 230 Voltage, single phase AC supply.
- Provides power through either a standard Domestic 6/16 Amps 3 pin plug to an industrial 16 Amps plug.

Salient Features:

- High resistance to chemical & atmospheric agents
- Corrosion proof
- Excellent Durability
- Light in weight for easy transportation & installation.

Applications:

- Applicable for use at Homes, Garages, Car Parks & Public Areas.
- Suitable for Indoor & Outdoor installation.

General Specification:

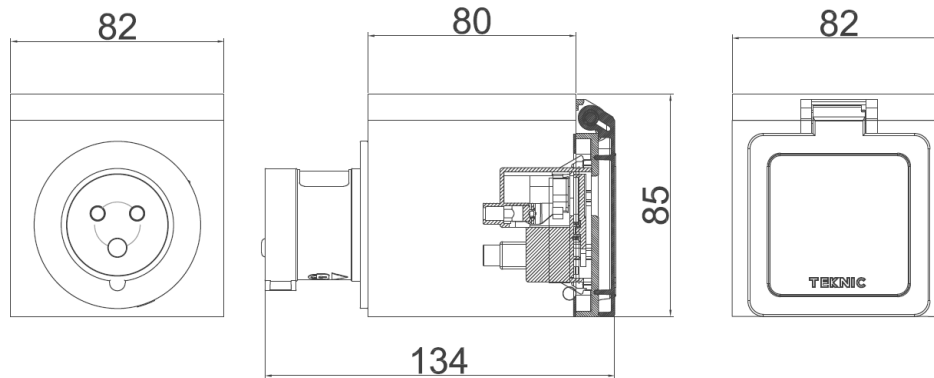
Item Type	: IEC to Domestic Socket Adaptor
Item Code	: ADAPTOR/IEC-DOM 16A
Brand	: TEKNIC
Suitable Location	: Mount in a dry area/location for best results
Application Area	: Suitable for both indoor & outdoor installations
Mobility	: Light weight construction ensures ease of mobility
Usage	: Plug in the charging end plug into the socket & start charging
Warranty	: 12 months from the date of supply against any manufacturing defects
Recommendation	: To be installed by qualified/licensed electrical personnel/contractor
Country Of Origin	: INDIA

TEKNIC CONTROLGEAR PVT. LTD.

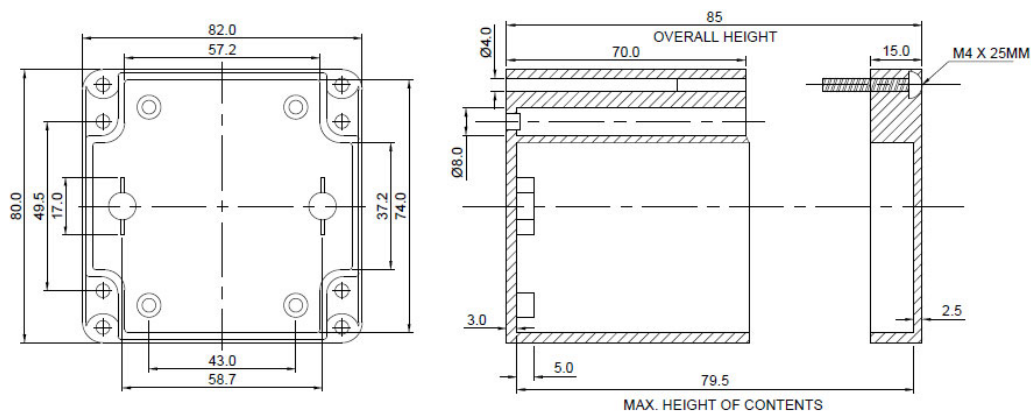
H. O.: 703, Madhava, Bandra Kurla Complex, Bandra (E), Mumbai - 400 051. INDIA

Board Line No.: 022 42532500 • E-mail: teknico@teknico.co.in

Dimensional Drawing:



Enclosure Drawing:



Electrical Specification:

Voltage Rating	: 230 VAC, Single Phase, 50 Hz
Current Rating	: 16 Amps
Cable Size	: Use minimum 2.5 sq mm 3 Core Flexible cables. Use appropriate cables lugs & glands
Industrial Sockets	: 16 Amps, 3 Pin, Single Phase, 230 VAC, IP 54, Domestic Socket as per IS 3854: 1997 : 16 Amps, 3 Pin, Single Phase, 230 VAC, IP 44, Straight Industrial plug as per IEC 60309

Mechanical Specification (Enclosure):

Protection Class	: IP 44 ingress protection against dust, dirt, oil & other non-corrosive materials. Splash protection from any direction.
Material	: ABS thermoplastic material, providing excellent impact strength, high thermal insulation & good UV protection features. Lightweight & easy to install
Operating Temperature	: -20 ° C to + 80 ° C
Length	: 80 mm
Breadth	: 82 mm
Depth	: 85 mm

TEKNIC CONTROLGEAR PVT. LTD.

H. O.: 703, Madhava, Bandra Kurla Complex, Bandra (E), Mumbai - 400 051. INDIA

Board Line No.: 022 42532500 • E-mail: teknico@teknico.co.in