

### General

### Control Stations & Enclosures

These are metallic series Control Stations available in variety of sizes ranging from one way to four way. They are in two forms:

- Complete
- For customer assembly

These control stations use metal bezel pushbuttons & pilot lights, which offers a wide choice of circular & square type of actuators.

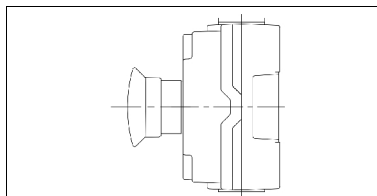
The following can be assembled in these control stations:

1. Non-illuminated pushbuttons from series 2PS & P2PS with cover mounting & base mounting elements
2. Pilot light of series 2PL...
3. Pushbuttons of clip-on series 4PS... with cover mounting elements,
4. Clip on series 4PL pilot light along with clip type lamp (LED)
5. Mono-block Pushbuttons from 3PS... series
6. Pilot lights from 3PL... series

### Complete Stations

### Pre-assembled

These are complete, ready to install, stations fitted with 1 to 3 buttons to cater for the most commonly encountered functions e.g.

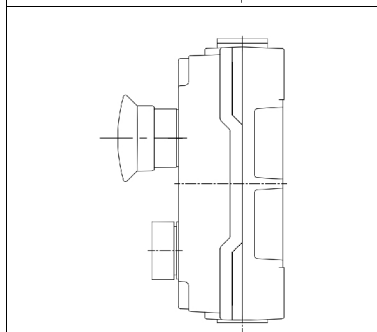


1.0 Emergency Stop, with:

- 1 red, push to stop, turn to release, mushroom head pushbutton

Product Codes:

2006A13 Ø22.5 metallic one way (Pressure Die casting) with cover grey RAL 7032 & black housing fitted with 2PSML401



2.0 Start or Stop, with:

- 1 flush spring return pushbutton,
- 1 red, push to stop, turn to release, mushroom head pushbutton

Product Codes:

2007C13 Metallic series two way enclosure (pressure die casting), cover grey RAL 7032 housing black fitted with 2PSF310 & 2PSF401 with START STOP legend plate

2016C07 2way pressure die casting enclosure RAL7032 cover & housing with 2PSML402 & 2PSF310

### Stations for customer assembly

### To be assembled by Customer

These stations are for assembly by the user & offer a choice of 2 assembly methods:

- **Base Mounting Method**

The electrical blocks can be mounted in the station housing. Base mounting is not applicable for Clip type elements.

- **Cover Mounting Method**

The electrical blocks are mounted directly beneath the heads.

It is possible to assemble stations with 1 to 4 heads, each of which can be combined with:

- 3 electrical blocks (contact or light) of Clip-on type
- 2 electrical blocks (contact) of S series

The actuator head offers a wide choice of head types such as:

- Spring return (marked or unmarked)
- Spring return twin headed
- Spring return, mushroom head
- Latching mushroom head
- Selector with standard or long handle & key switches

### Accessories

### For Actuators & Pilot lights

Legend plate can be made available as per requirement.

### Environment

Ambient air temperature	: -25 to +70°C (storage /operation)														
Degree of Protection	: IP65 as per IEC/EN 60529; 4X,12 as per UL50														
Conformity to standards	: as per UL 50, UL508 & CAN/CSA C22.2 No. 14-05														
Material & colors	: Made up of Cast Aluminium. All other parts made up of UL approved material. Available in Powder coated shades. The following colors are available in Powder coating. Those marked with * can be made available on request.														
	<table border="1"> <thead> <tr> <th>COVER</th> <th>HOUSING</th> </tr> </thead> <tbody> <tr> <td>YELLOW</td> <td>BLACK</td> </tr> <tr> <td>GREY RAL 7032</td> <td>BLACK</td> </tr> <tr> <td>631 Powder coating*</td> <td>631 Powder coating*</td> </tr> <tr> <td>632 Powder coating*</td> <td>632 Powder coating*</td> </tr> <tr> <td>RAL 7001 GREY*</td> <td>RAL 7001 GREY*</td> </tr> <tr> <td>RAL 7035 Light Grey*</td> <td>RAL 7035 Light Grey*</td> </tr> </tbody> </table>	COVER	HOUSING	YELLOW	BLACK	GREY RAL 7032	BLACK	631 Powder coating*	631 Powder coating*	632 Powder coating*	632 Powder coating*	RAL 7001 GREY*	RAL 7001 GREY*	RAL 7035 Light Grey*	RAL 7035 Light Grey*
COVER	HOUSING														
YELLOW	BLACK														
GREY RAL 7032	BLACK														
631 Powder coating*	631 Powder coating*														
632 Powder coating*	632 Powder coating*														
RAL 7001 GREY*	RAL 7001 GREY*														
RAL 7035 Light Grey*	RAL 7035 Light Grey*														
Cable entries	: M20; 2nos at top & bottom position														
Earthing	: 2Nos. provided internally in the housing.														

### Safety regulations

	The unit may only be installed and commissioned by personnel who are familiar with both these instructions & the current regulations for health and safety at work and accident prevention. Ensure local regulations are met especially those relating to safety.
--	---

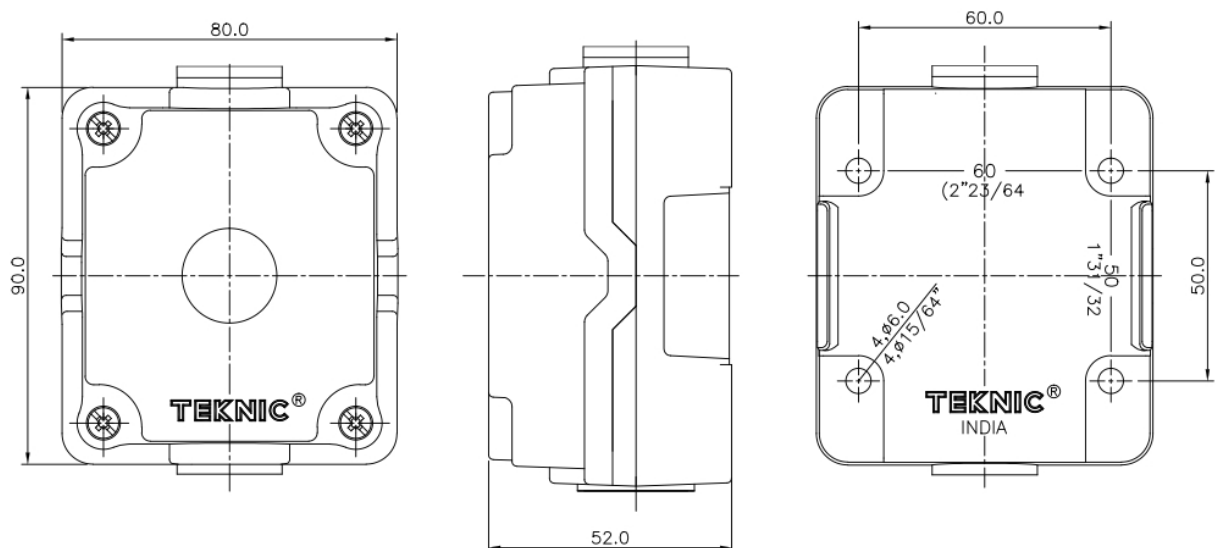
### Caution

	The conduit hubs are to be connected to the conduit before being connected to the enclosure. To maintain the environmental rating of this enclosure, install in any openings only UL Listed or Recognized conduits hubs or control devices with the same environmental ratings as the enclosure, in compliance with the installation instructions of the device.
--	--

### Dimensions

Note: All dimensions are in mm unless otherwise stated

#### 1way

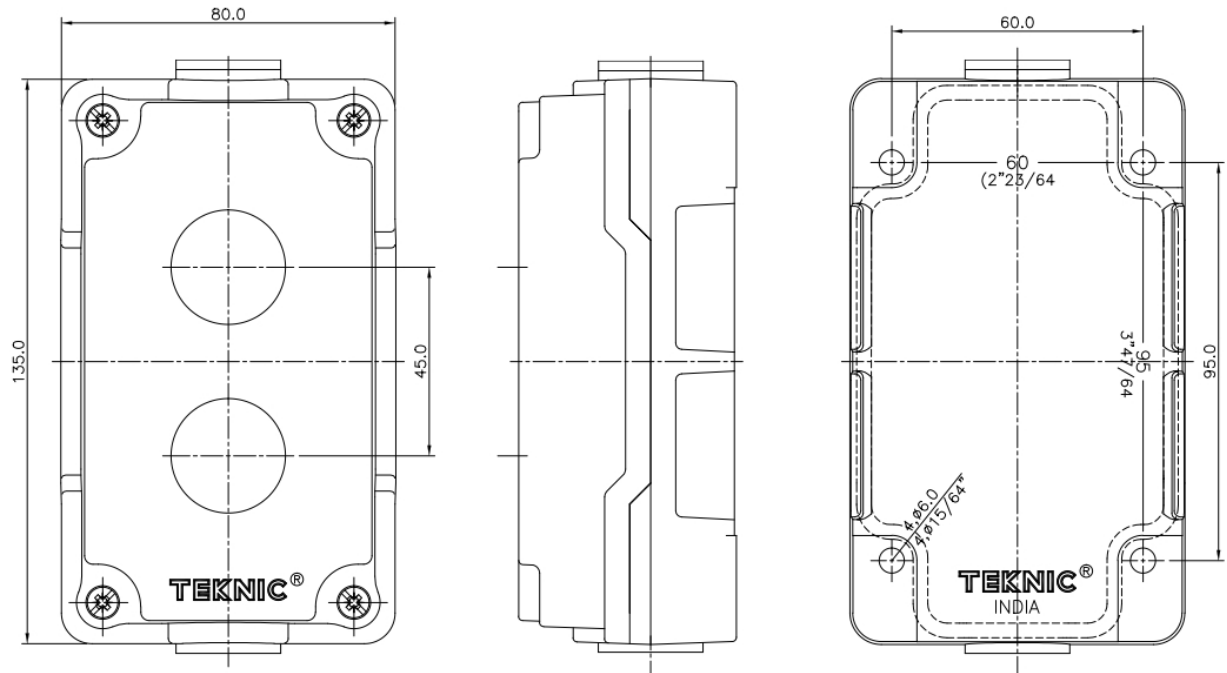


### Dimensions (Contd.)

Following variations are available in 1way empty enclosure

Sr. No.	Color of cover	Color of housing	Product code
1	Yellow	Black	2005A10
2	Grey RAL 7032	Black	2005A13

### 2way

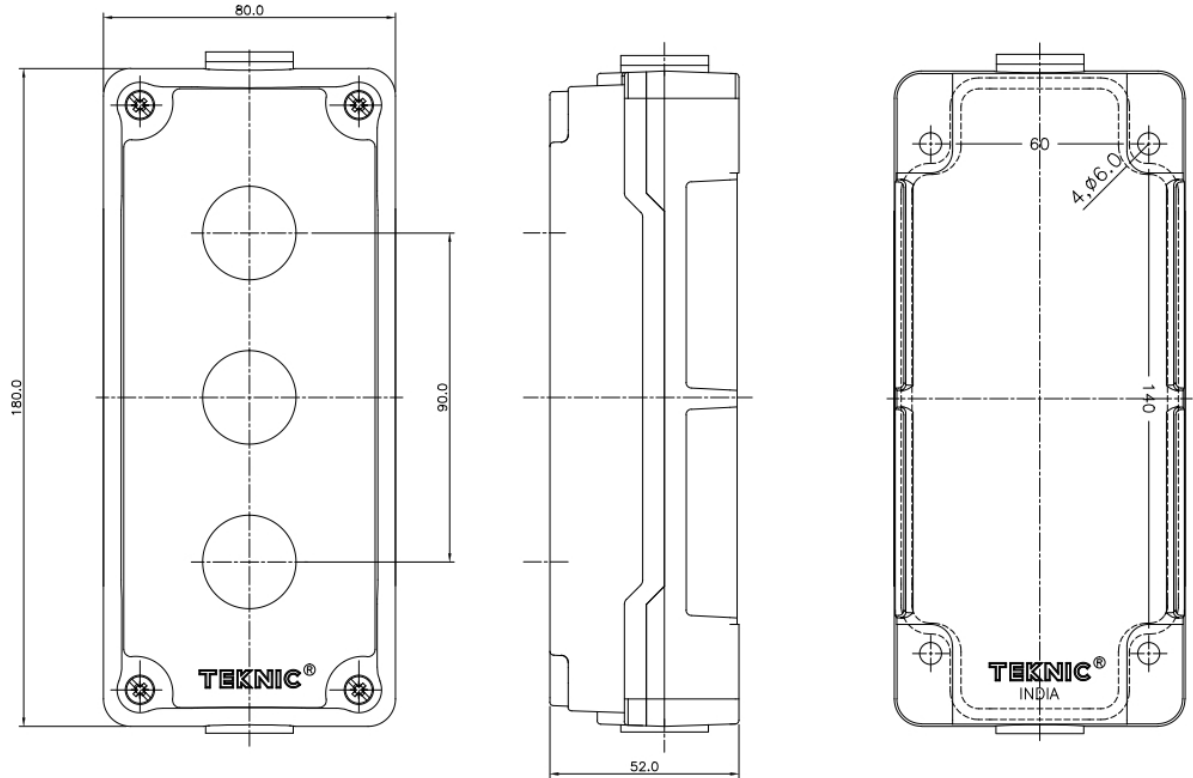


Following variations are available in 2way empty enclosure

Sr. No.	Color of cover	Color of housing	Product code
1	Yellow	Black	2017C10
2	Grey RAL 7032	Black	2006C13

## Dimensions (Contd.)

### 3way

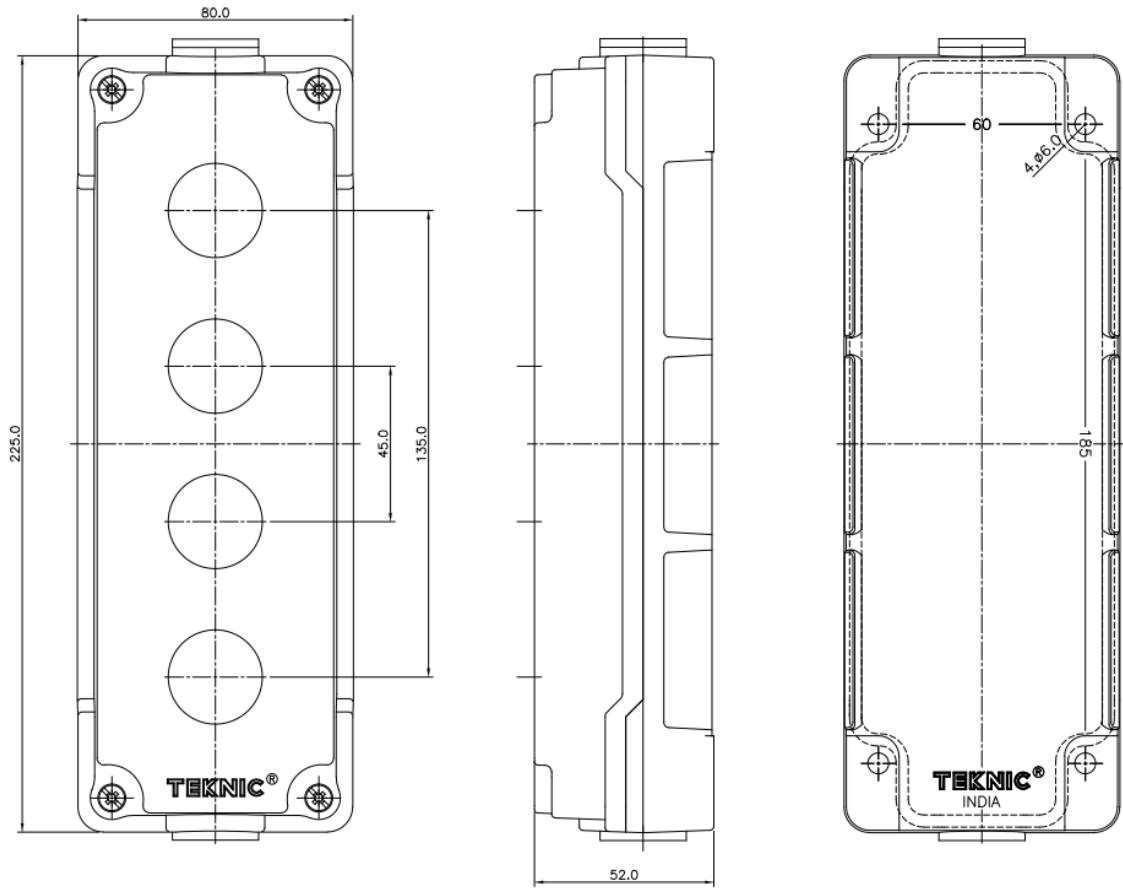


Following variations are available in 3way empty enclosure

Sr. No.	Color of cover	Color of housing	Product code
1	Yellow	Black	2014E10
2	Grey RAL 7032	Black	2007E13

## Dimensions (Contd.)

### 4way



Following variations are available in 4way empty enclosure

Sr. No.	Color of cover	Color of housing	Product code
1	Yellow	Black	2011G10
2	Grey RAL 7032	Black	2010G13