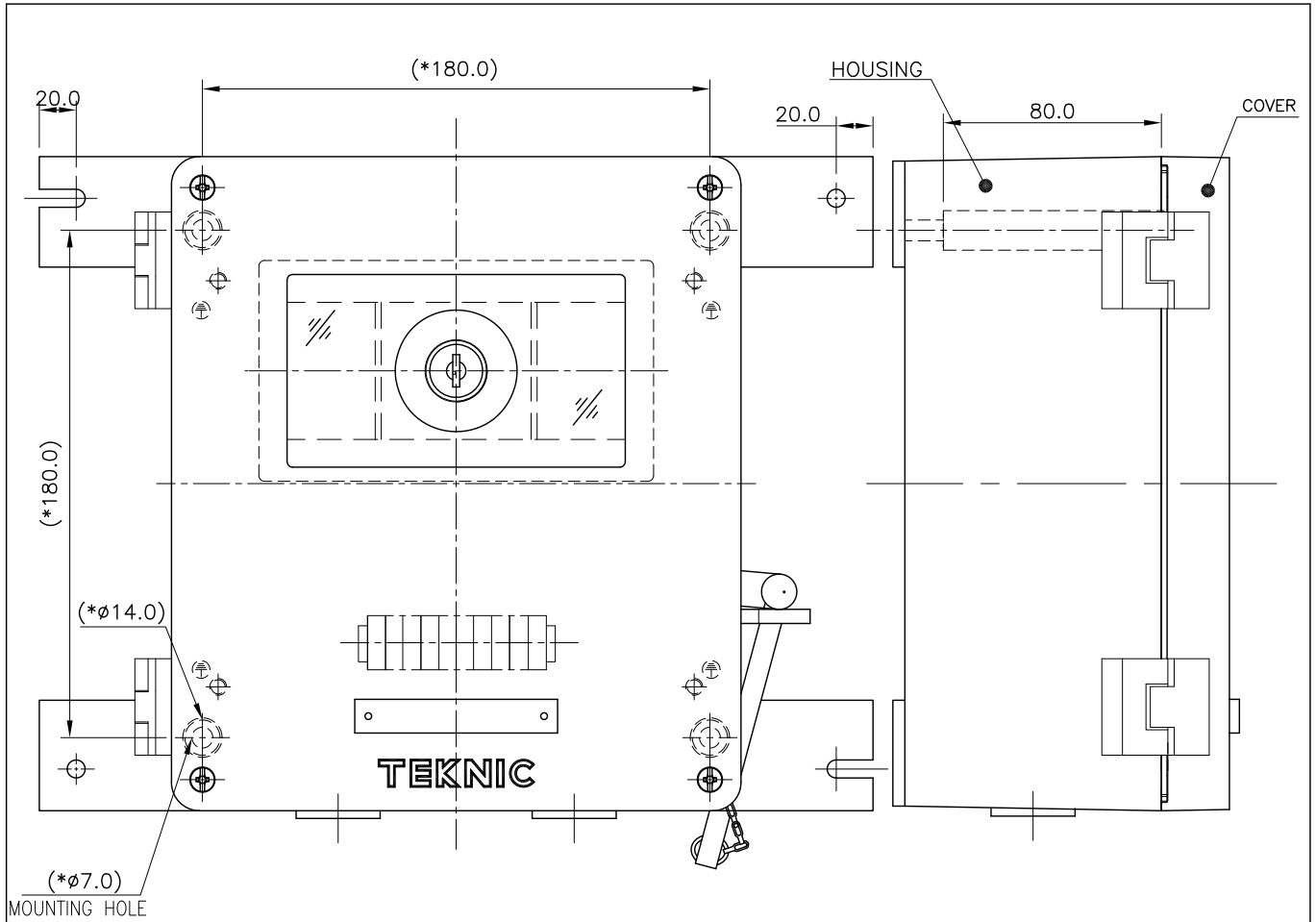
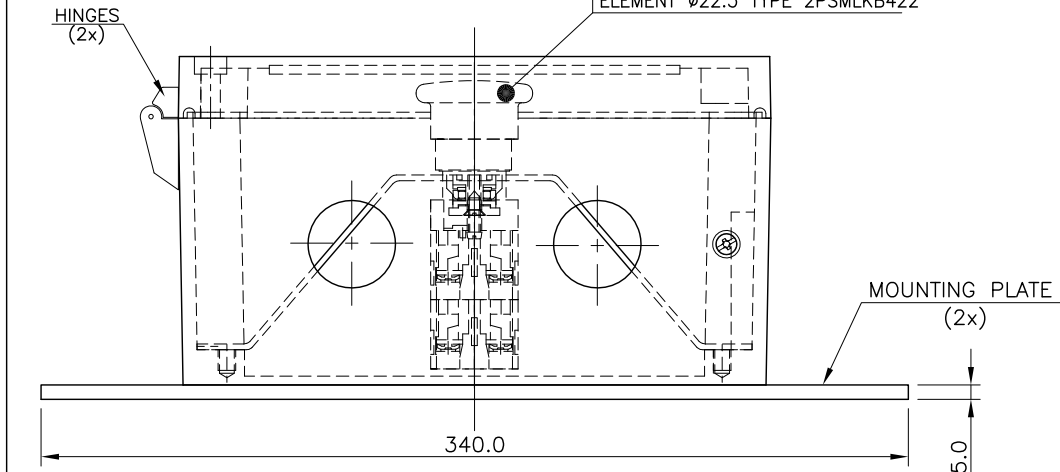


CONTROL STATION



TEKNIC MAKE STAYPUT RED
 MUSHROOM ACTUATOR PRESS
 TO LOCK KEY TO RELEASE
 WITH 2NO+2NC CONTACT
 ELEMENT Ø22.5 TYPE 2PSMLKB422



NOTE:- MOUNTING HOLES DIMENSIONS ARE PROVIDED WITH '* MARK'
 MOUNTING PLATE DETAILS ON THE NEXT PLATE

DIM. WITHOUT TOLERANCES ACCORDING TO IS: 2102-v1993)				SUPERSEDES			MATERIAL		SURFACE TREATMENT	
ALL DIMENSIONS ARE IN mm.				SUPERSEDED BY			CAST ALUMINIUM		POWDER COATING	
				2009	DATE	NAME	TITLE			
				Drawn	08.10.09	Vinayak	EMERGENCY GLASS BREAK TYPE STATION			
				Checked			DRG. No.			
				Approved			STN 1141			
				SCALE NTS		PAGE: 1		REV. NO.		TEKNIC
No.	ALTERATION	DATE	NAME	OFF: 1		Ø1234 56789		FILE NAME STN1100		