

Model No.: **KSEL-3P 30**

Description: **EL KEY SWITCH, 3-POSITION STAYPUT, KEY REMOVABLE IN ALL POSITIONS**



Salient Features:

- Quick installation
- Safe operation
- Robust design
- Aesthetically elegant
- SPDT function
- Used for actuation authorization

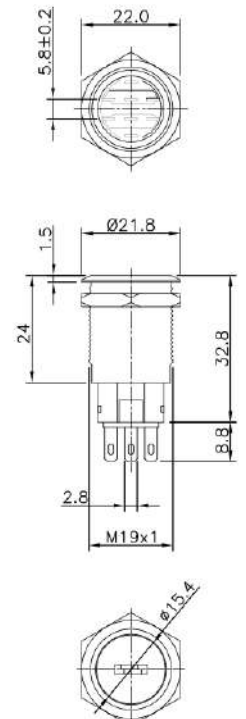
General Characteristics:

It is a metallic stayput Key Selector for use in a panel cutout of Ø19mm & of thickness 1 to 6mm. It is a 3 position switch with key removable in all positions. It is used in applications where proper authorization is needed to actuate controls. It has IP40 as degree of protection. It is fixed to the panel with a nut.

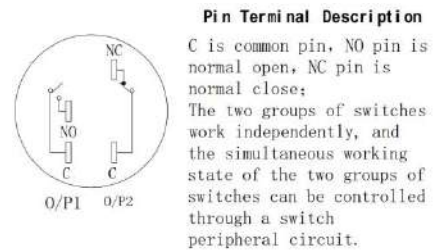
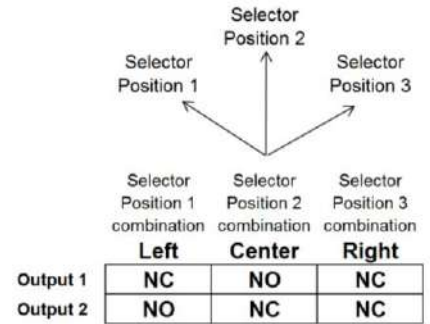
Available types		: NA
Degree of protection		: IP40 as per IEC 60529
Degree of Pollution		: 3
Applicable standards		: IEC 61058-1 : IEC 60947-5-1, IEC 60947-5-5, IEC 60529 : CSA 22.2
Product Certification		: CE, CSA

Mechanical Characteristics:

Function indicator		: NA
Terminal Capacity		: Soldering 0.5 to 1mm ² wire
Terminal marking		: C NO NC
Terminal Torque	Nm	: NA
Contact material		: Silver alloy
Operation		: Snap action
Operating torque	Nm	: 0.4
Operating force	N	: NA
Positive operation		: NA
Conforming to IEC/EN 60947-5-1 Appendix K		
Operating travel	mm	: NA

Mechanical life		: 0.05 million operations
Ambient	°C	: -25 to +70
Storage	°C	: -25 to +40
Overall Dimensions with sketch (LXBXH)	m m	
Vibration resistance Conforming to IEC 60068-2-6	Hz	:
Shock resistance Conforming to IEC 60068-2-27		:
Viewing Angle	°	NA
Optical Axial intensity	mcd	NA
Weight	gms	Pushbutton: 30

TERMINAL CONNECTIONS



Electrical Characteristics of contacts:

Make & Break Capacity (Rating)		: 250V AC, 2A
Rated insulation voltage	V	: 500
Rated thermal current	A	: 10
Low power application		: NA
Protection against electric shock		: Class II Appliances (ref 61058-1)
Dielectric Test	V	: 750 across micro disconnection
Approvals regarding the part:		: CE, CSA
Approvals regarding the material		
Polymeric parts		: UL-Recognized material
Rated Impulse Withstand		: NA
Polarity protection		: NA
Current Consumption	mA	: NA
Electrical Endurance		: more than 10000 cycles

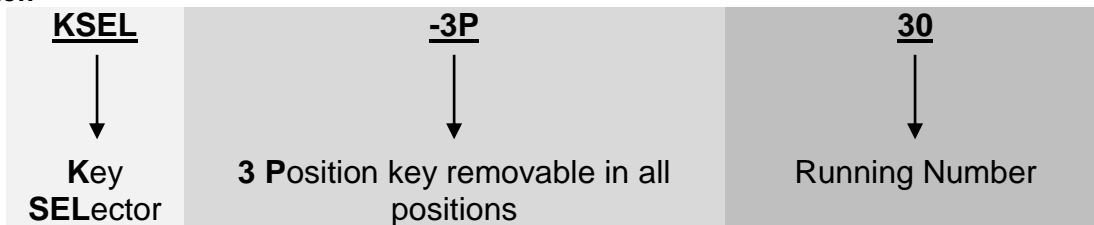
Accessories & codes:

NA

Ordering codes

The ordering code for each product is mentioned in the Catalogue/Data Sheet and not indicated on each product because of the various combinations possible it becomes practically impossible to do so, more over the actuators, lamp unit and contact element, which together make a push button, are sold separately to OEM's as well as dealers. However the primary packing box always mentions the ordering code of the material it holds.

For Pushbutton



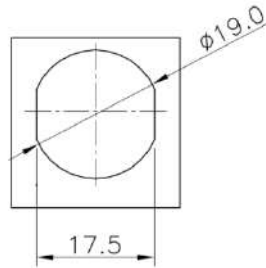
Mounting Instructions:

Safety regulations: This unit may be installed & commissioned by personnel who are familiar with current regulation for health & safety at work & accident prevention. Ensure local regulations are met especially those relating to safety. This is for use on flat surface of type 4X, 12 enclosure.

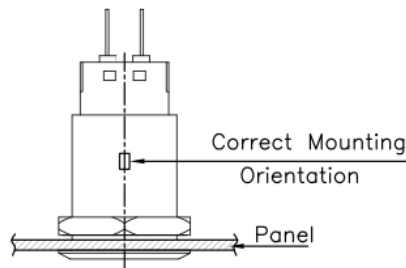
Ensure that this actuator will operate fully after installation. Failure to follow these will result in death or serious injury.

Mounting

: Fixing Centers: 25mm X 25mm min.
Mounting Panel thickness: 1mm to 6mm



PANEL CUTOUT



No of elements possible

: NA

If any more information is required, kindly contact our Marketing Department at +91-22-42532500 or email at ram.talreja@teknico.in